

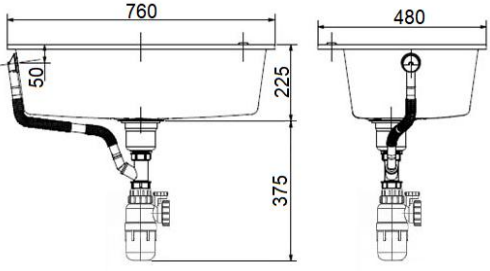
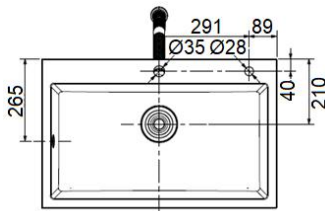




PROJECT		REF		REV	ITEM CODE	
LOCATION		DATE			PAGE	

SANITARY WARE SPECIFICATION SHEET

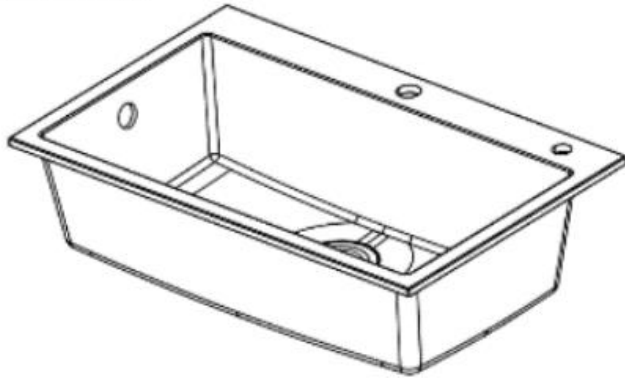
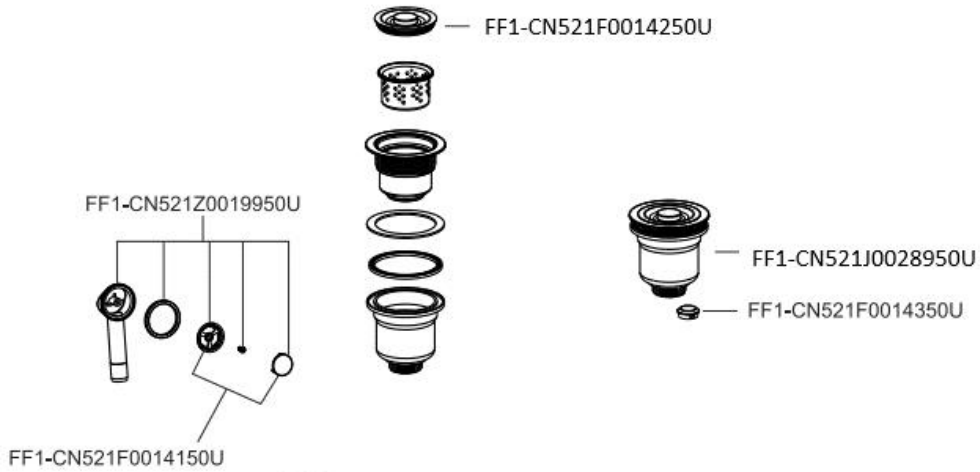
<p>Item Descriptions</p>	<p>American Standard (PRC) Matt black synthetic one-bowl sink</p>	<p>Illustration/ Drawing</p>
<p>Dimensions</p>	<p>L760 x W480 x H225 mm (Bowl)</p>	   
<p>Model</p>	<p>1013532430</p>	
<p>Material</p>	<p>Synthetic</p>	
<p>Colour</p>	<p>Matt Black</p>	
<p>Manufacturer</p>	<p>American Standard (PRC)</p>	
<p>Source</p>	<p>Acme Sanitary Ware Co. Ltd Mr. Eric Wong/ Mr. Don Yuen</p>	
<p>Contact Tel/Fax</p>	<p>(852) 2388-7171 / (852) 2710-8012</p>	
<p>E-mail</p>	<p>acme@acmesanitary.com.hk</p>	
<p>Website</p>	<p>www.acmesanitary.com.hk</p>	
<p><u>Detail specifications</u></p> <ul style="list-style-type: none"> • Matt Black Synthetic One-bowl Sink • Food grade synthetic material • Matt Black finish and antibacterial • Rearward- waste design • Capacity (to overflow): 28L • With SUS304 drain and PP Material Waste • With box packaging / Product weight: 13 kg • Top/Under counter / Synthetic Thickness 8.5mm • Standards Criteria: GB 4806.7-2016 		

Note: Bottle trap is excluded.

* All information of the above is for the reference only. No prior notice is made if any changes.



SANITARY WARE SPECIFICATION SHEET



1010-1

Compatible with 1/2" anti-siphonic bottle trap
(Bottle trap shall be bought separately)

Note: Bottle trap is excluded.